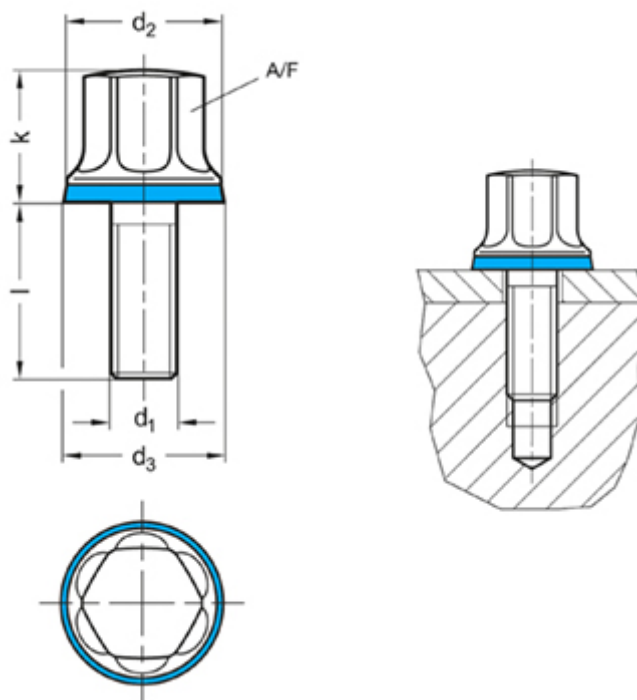


Article number: 201580M830PL

Description: E+G Screw GN 1580-M8-30-PL-H  
Hygienic design

## Measures



d1	= M 8
d2	= 18
d3	= 18.8
k	= 14.5
L	= 30
t min	= -
Weight in (g)	= 26